

# Data Sheet

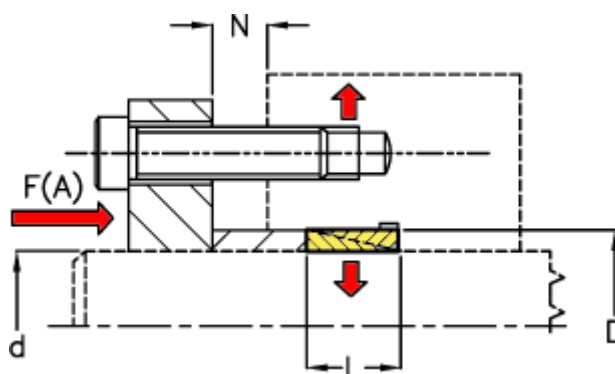


Article number: 433000140

Description: Rota-fix shaft-hub connection C 140x158

Note: Not self centering. Small radial dimensions

## Measures



d mm = 140

D mm = 158

F(A) kN = 690

Fit tolerance = Aksel  $\varnothing$  ? 38 h6, Aksel  $\varnothing$  > 38 h8, Nav  $\varnothing$  ? 38 H7, Nav >  $\varnothing$  38 H8

F kN torque = 135.0

L = 28

N1 = 6

N2 = 7

N3

N4

P N/mm<sup>2</sup> surface press

Surface roughness

T N m torque